



PB3000 Parking Barrier

The PB3000 parking barrier is an ideal automatic car park barrier for parking lot and security control; it can easily integrate with revenue collection and access control systems.

The ZKTeco parking product range does not only offer fast opening times, long-life cycle, reliability and quality. Furthermore, based on the extraordinary structural design, the device has a compact size, excellent waterproof dustproof performance and low noise operation. Also it greatly reduces the difficulty of equipment maintenance that effectively reduces the operation cost of the user.

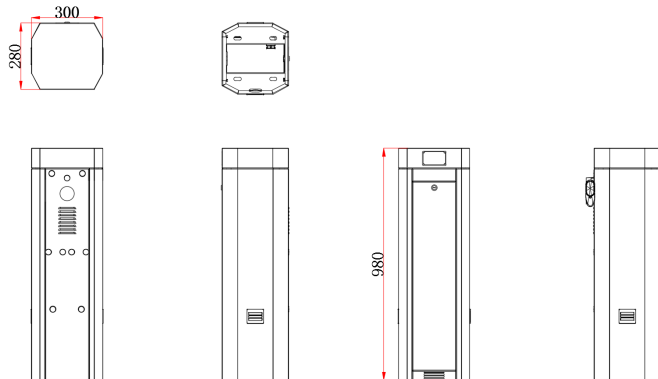
Features

- The modularly designed housing made of stainless steel offers best protection against corrosion. (Provide a variety of appearance colors)
- The control unit is located directly underneath the top cover and can be accessed from all sides.
- Independent research and development rolling pressure spring technology; extending product life.
- The compact structure design is convenient for packing and saving transportation cost.
- Simple installation; it is only necessary to screw the equipment on the ground and connect the electricity.
- Abundant production strength, provide mass customization service.

Specifications

Model No.	PB3010L/R	PB3030L/R	PB3060L/R
Lane width	3m	4.5m	6m
Opening / closing time	1.8s	3s	6s
Supply voltage	110V AC or 220V AC	110V AC or 220V AC	110V AC or 220V AC
Power consumption max.	200W	200W	200W
Frequency	50-60Hz	50-60Hz	50-60Hz
Cabinet material	powder coated steel	powder coated steel	powder coated steel
Boom material	aluminum alloy	aluminum alloy	aluminum alloy
Base frame	cast iron	cast iron	cast iron
Temperature range	-20°C~+60°C	-20°C~+60°C	-20°C~+60°C
Humidity range	≤90%	≤90%	≤90%
Ingress protection	IP54	IP54	IP54
Housing dimensions (W x D x H)	300 * 280 * 980 (mm)	300 * 280 * 980 (mm)	300 * 280 * 980 (mm)
Packing dimensions (W x D x H)	460 * 420 * 1150 (mm)	460 * 420 * 1150 (mm)	460 * 420 * 1150 (mm)
Net weight (without boom)	56kg	56kg	56kg
Gross weight (without boom)	72kg	72kg	72kg

Dimensions



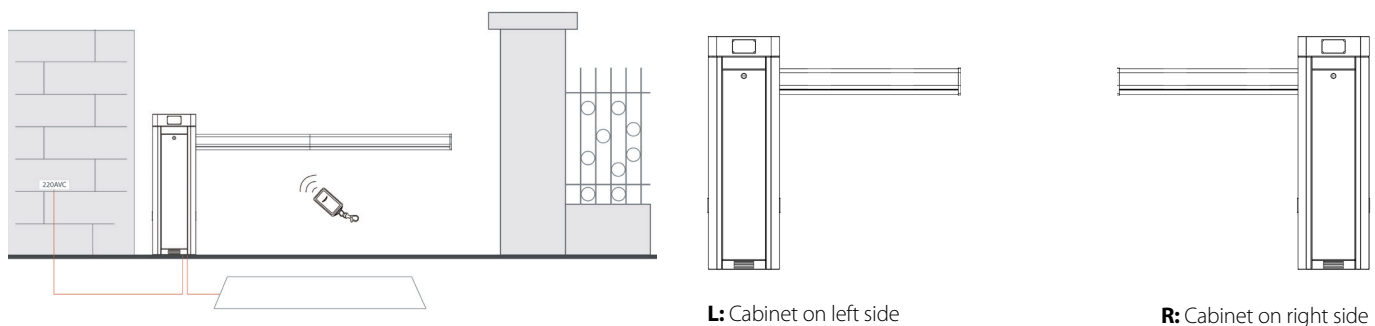
Optional accessories

Loop detector Photo cell Siren
 Remote transmitter Loop

Optional Functions

Heater system
 Cooling system
 Wooden package
 Controller (C3-100 or InBio160)

Typical Installation



ZKTECO CO., LTD.
 www.zkteco.com
 E-mail: sales@zkteco.com

© Copyright 2017. ZKTECO CO., LTD. ZKTeco Logo is a registered trademark of ZKTECO CO., LTD. or a related company. All other products and company names mentioned are used for identification purposes only and may be the trademarks of their respective owners. All specifications are subject to change without notice. All rights reserved.